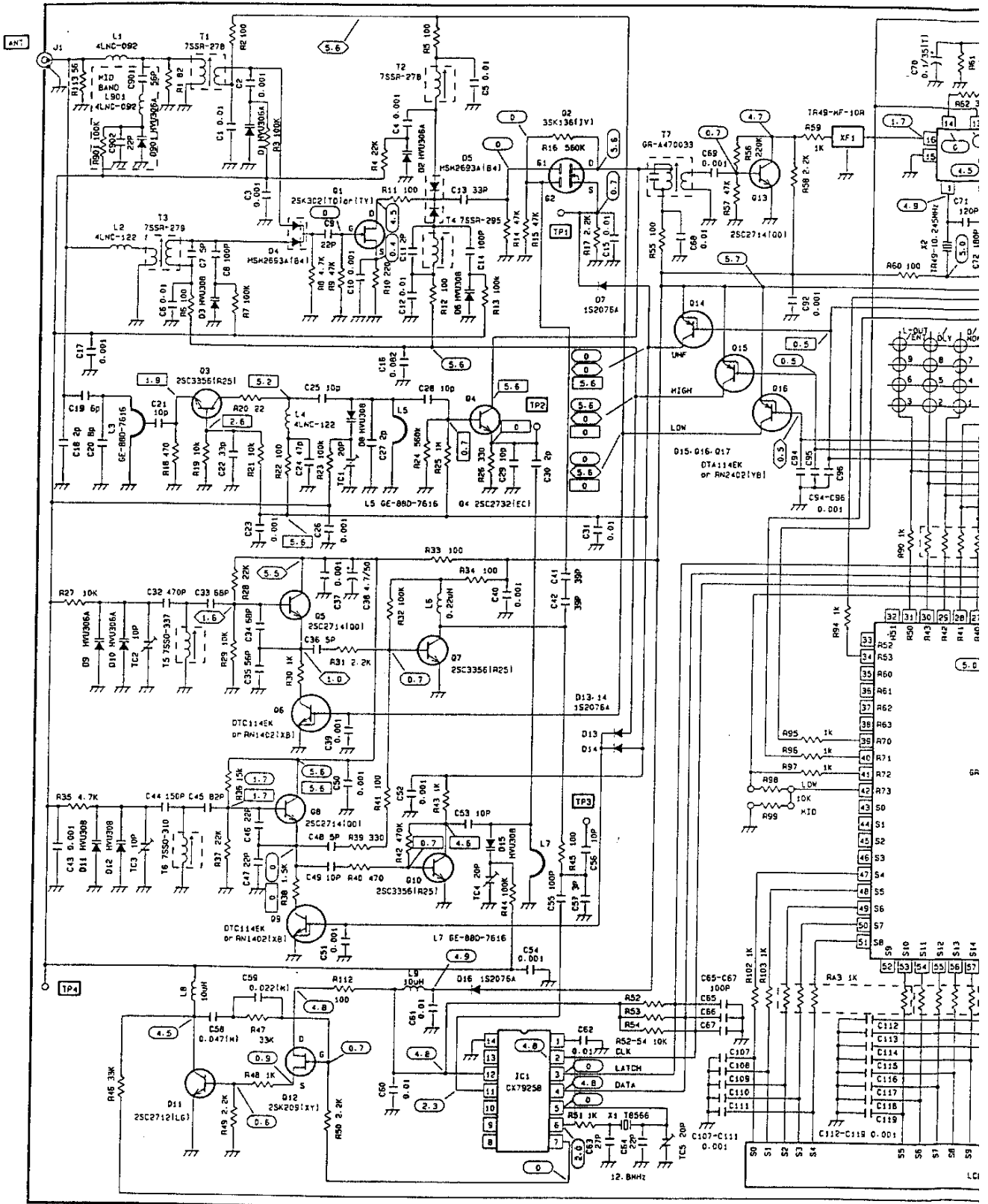


SCHEMATIC DIAGRAM



NOTES

- 1 RESISTANCE VALUES ARE IN OHMS (K=1 000 Ω; M=1 000 000 Ω)
- 2 CAPACITANCE VALUES ARE IN μF (P=PICTOFARAD)
- 3 (T)=TANTALUM CAPACITOR
- 4 (M)=MYLAR CAPACITOR
- 5 NO SUFFIX CERAMIC CAPACITOR

- 6 ○ THIS SYMBOL DENOTES DC VOLTAGE ON VHF HIGH BAND, WITH SQUELCH CONTROL SET TO CCW POSITION
- 7 ○ THIS SYMBOL DENOTES DC VOLTAGE ON VHF LOW BAND
- 8 ○ THIS SYMBOL DENOTES DC VOLTAGE ON UHF BAND
- 9 ALL DC VOLTAGES ARE MEASURED WITH A 100 KΩ/1M V DC VOLTMETER, WITH VOLUME CONTROL SET TO MINIMUM